

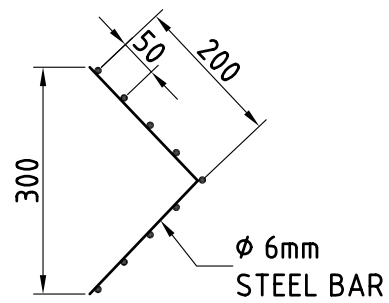
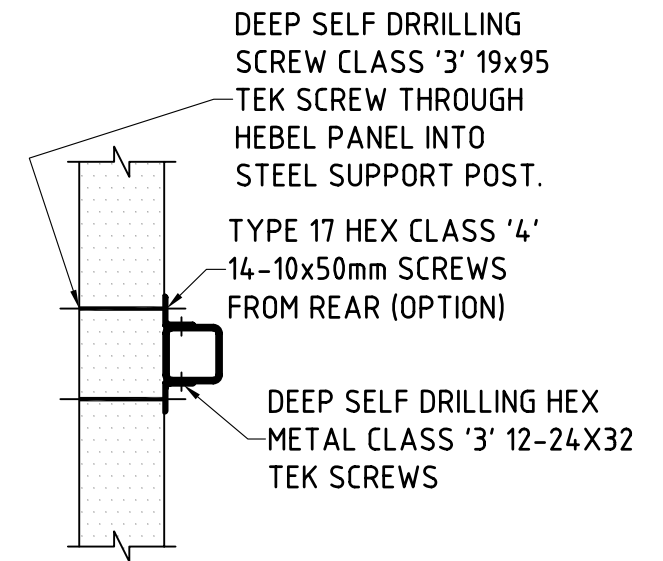
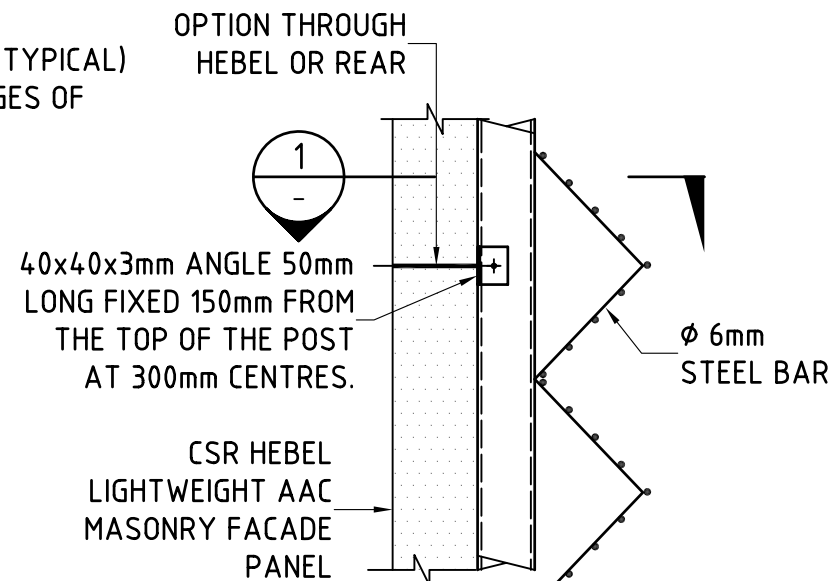
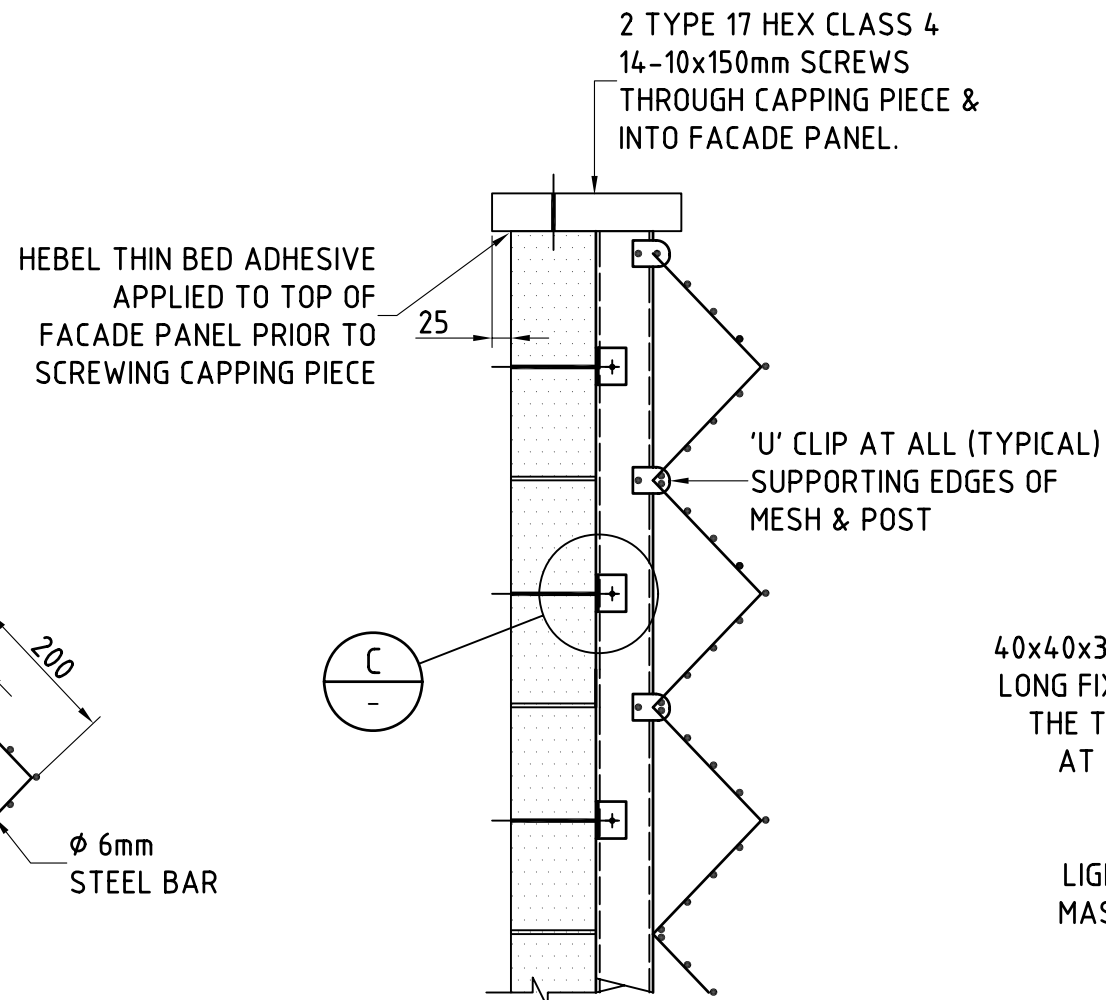
CSR HEBEL LIGHT WEIGHT AAC MASONRY CAPPING PIECE

SCALE = 1:50

TYPICAL PLAN VIEW OF BRACE RETAINING SYSTEM

SCALE = 1:50

THIS DRAWING SHOULD BE READ IN CONJUNCTION WITH THE SPECIFICATIONS AS SHOWN ON DRAWING S-01



DETAIL A
SCALE = 1:10
S02

DETAIL B
SCALE = 1:10
S02

DETAIL C
SCALE = 1:10
-

SECTION 1
SCALE = 1:10
-

ISSUE	NOTES	DATE
A	ISSUED FOR COMMERCIAL USE	28/11/05
B	ISSUED FOR APPROVAL	12/09/06
C	ISSUED FOR CONSTRUCTION	25/09/06



Civil
Structural
Stormwater

MYD Consulting Engineers

Suite 1,
39 Terry Street
Rozelle, NSW 2039

Tel: 02 9810 4255
Fax: 02 9810 4277
Email: info@mydconsulting.com
www.mydconsulting.com



UNIT 6
723 THE HORSLEY DRIVE
SMITHFIELD NSW 2164
Tel: (02) 9604 5754 Fax: (02) 9604 4415

PROJECT	BRAACE RETAINING SYSTEM	
DRAWING TITLE	TYPICAL SECTIONAL DETAIL OF BRAACE RETAINING SYSTEM	

CLIENT			
NUMBER IN SET	-	JOB NO.	P798
SCALE	1:50, 1:10	SHEET NUMBER	S-03
DESIGN	P.M	CHECK	D.D
DRWAN	VC & K.T.	DATE	25/09/06

DUE TO LIMITS OF PRINTING EQUIPMENT
DO NOT SCALE OFF DRAWINGS
FIGURED DIMENSIONS TO BE USED, ALL DIMENSIONS TO BE CHECKED ON SITE

A3 DWG SHEET